

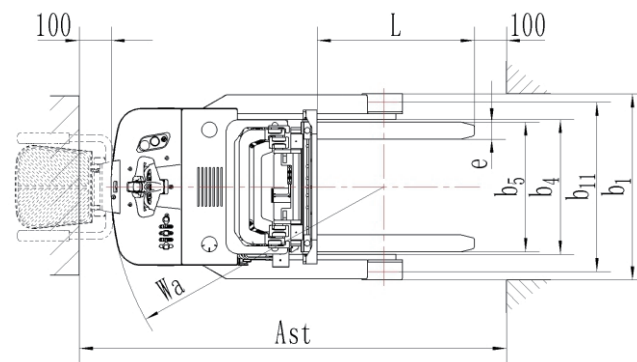
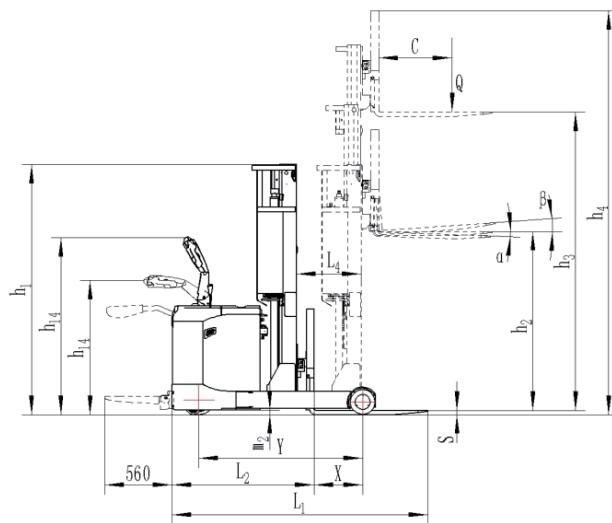
Straddle leg

Direct entry of 800x1220mm pallet with upgraded design of the straddle 880mm inner width.



Mast table PS13/15RMPLUS

Designation	Lowered mast height	Free lift height	Lift height	Extended mast height
Single-stage mast	1796	1200	1200	2085
	2196	1600	1600	2485
	2396	1800	1800	2685
Two-stage mast	1796	-	2400	3285
	2096	-	3000	3885
Three-stage mast FFL	1796	1200	3600	4485
	2096	1500	4500	5385
	2196	1600	4800	5685



Type sheet for industrial truck acc. to VDI 2198 1KG=2.2LB 1INCH=25.4MM

Distinguishing mark	1.2	Manufacturer's type designation		PS13RMPLUS			PS15RMPLUS			
	1.3	Power(battery ,diesel,petrol gas,manual)		Battery			Battery			
	1.4	Operator type		Pedestrian			Pedestrian			
	1.5	Load Capacity / rated load	Q(kg)	1300			1500			
	1.6	Load centre distance	C(mm)	600			600			
	1.8	Load distance ,centre of drive axle to fork	X(mm)	415			485			
	1.9	Wheelbase	Y(mm)	1350			1500			
	Weight	2.1	Service weight	kg	1750	1900	2200	1800	1950	2250
	Tyres, chassis	3.1	Tires		Polyurethane (PU)			Polyurethane (PU)		
3.2		Tire size, fron	Øxw (mm)	Ø 250 ×82			Ø 250 ×82			
3.3		Tire size, rear	Øxw (mm)	Ø 210×85			Ø 230×100			
3.4		Steering wheel size	Øxw (mm)	Ø 124×60			Ø 124×60			
3.5		Wheels, number front/rear (x=driven wheels)		1x+2/2			1x+2/2			
3.6		Tread, front	b ₁₀ (mm)	680			680			
3.7		Tread, rear	b ₁₁ (mm)	1085			1085			
Dimensions	4.1	Tilt of mast/fork carriage forward/backward	α/β(°)	2/4			2/4			
	4.2	Lowered mast height	h ₁ (mm)	2196	2096	2196	2196	2096	2196	
	4.3	Free Lift height	h ₂ (mm)	1600	—	1600	1600	—	1600	
	4.4	Lift	h ₃ (mm)	1600	3000	4800	1600	3000	4800	
	4.5	Extended mast height	h ₄ (mm)	2485	3885	5685	2485	3885	5685	
	4.9	Height of tiller in drive position min./ max.	h ₁₄ (mm)	1030/1415			1030/1415			
	4.15	Height, lowered	h ₁₅ (mm)	50			50			
	4.19	Overall length	l ₁ (mm)	2080 ¹⁾			2160 ¹⁾			
	4.20	Length to face of forks	l ₂ (mm)	1160 ¹⁾			1240 ¹⁾			
	4.21	Overall width	b ₁ (mm)	1184			1184			
	4.22	Fork dimensions	s/e/l(mm)	35/100/920(1070)			35/100/920(1070)			
	4.25	Distance between fork- arms	b ₅ (mm)	220-760			220-760			
	4.26	Distance between supporting arm and load side	b ₄ (mm)	880			880			
	4.28	Reach distance	l ₄ (mm)	545			630			
	4.32	Ground clearance, centre of wheelbase	m ₂ (mm)	40			40			
	4.33	Aisle width for pallets 1000X1200 crossways	Ast(mm)	2600 ¹⁾			2710 ¹⁾			
	4.34	Aisle width for pallets 800X1200 lengthways	Ast(mm)	2650 ¹⁾			2740 ¹⁾			
	4.35	Turning radius	Wa(mm)	1570 ¹⁾			1720 ¹⁾			
	Performance data	5.1	Travel speed, laden/ unladen	km/h	5.5/6.0-8.0/8.0			5.5/6.0-8.0/8.0		
5.2		Lift speed, laden/ unladen	m/s	0.085/0.122	0.11/0.165		0.11/0.165			
5.3		Lowering speed, laden/ unladen	m/s	0.125/0.08	0.11/0.10		0.11/0.10			
5.8		Max. gradeability, laden/ unladen	%	5/8			5/8			
5.10		Service brake		Electromagnetic			Electromagnetic			
Electric- engine		6.1	Drive motor rating	kw	2.6			2.6		
	6.2	Lift motor rating	kw	2.2	3.0		3.0			
	6.3	Battery acc. to DIN 43531/ 35/ 36 A, B, C, no		3PzS	4PzS		3PzS	4PzS		
	6.4	Battery voltage, nominal capacity	V/Ah	24 / 270	24 / 400		24 / 270	24 / 400		
Additional data	8.1	Type of drive control		AC-Speed Control			AC-Speed Control			
	8.4	Sound level at driver's ear acc.to EN 12053	dB(A)	67			67			

1) with foldable platform the following dimensions increase: l1, l2 +=100, Wa/Ast+=+100.

This reference book is for internal training only and is not for commercial use. Relevant data are subject to change without notice